

# MeiTwin with MID approval

## Compound Water Meter for cold water up to 50 °C DN 50, DN 65, DN 80, DN 100



### Main Features

The main meter and the by-pass meter are arranged one behind the other in the direction of flow.

There is no longer any need for the differentiation between the "by-pass meter on the right" and "by-pass meter on the left".

No straight upstream or downstream pipe necessary due to integrated flow straightener (U0D0).

Removable metrological unit consisting of the main meter, the change-over valve and the by-pass meter ("3 in 1" concept).

A multirange metrological unit allows an easy economical replacement after the validity period of the calibration has expired.

Main meter with hydrodynamic balanced rotor.

Spring-loaded change-over valve with low headloss and extended lifetime.

By-pass meter specified as a piston meter cartridge 612MTW-HRI with plug-in non-return valve, register copper/glass, protection class IP68.

Minimum flowrate: 6 l/hour for piston type by-pass meter.

Available in body lengths specified as per DIN 19625 and ISO 4064.

### APPLICATIONS

Measurement of high flow rates with extremely wide spread flow profile

Measurement of very small flow rates for leakage detection

Ideal for fire service pipes



MeiTwin with 612MTW-ER56/66



MeiTwin with 612MTW

# MeiTwin with MID approval

## Compound Water Meter for cold water up to 50 °C DN 50, DN 65, DN 80, DN 100

### PATTERN APPROVAL

Marking	CE M-XX* 0102
	DE-21-MI001-PTB006
	*Year of production

### INSTALLATION

Pipe	horizontal vertical	
Meter head	upwards sideways	

The meter does not require any upstream or downstream straight length.

### TECHNICAL DATA

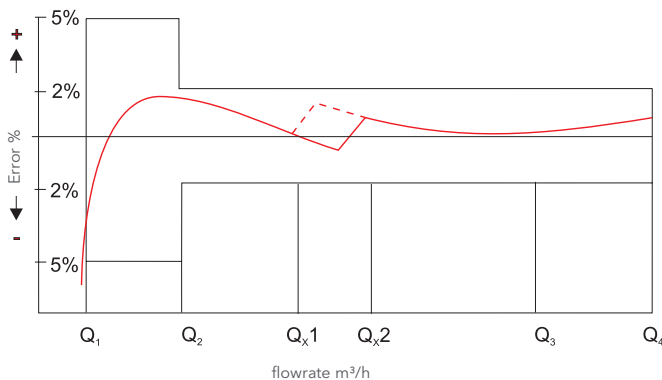
#### Performance Table acc. to Manufacturers Values

Size	DN	[mm]	50	65	80	100
Maximum Working Pressure	PN	[bar]	16			
Maximum Peak Flow	$Q_5$	[m <sup>3</sup> /h]	90	120	200	280
Continuous Flow	$Q_{3'}$	[m <sup>3</sup> /h]	50	70	120	180
Changeover Flowrate at Increasing Flow	$Q_{x2}$	[m <sup>3</sup> /h]	2.0 - 2.6			
Changeover Flowrate at Decreasing Flow	$Q_{x1}$	[m <sup>3</sup> /h]	1.1 - 1.7			
Transitional Flowrate	$Q_2$	[m <sup>3</sup> /h]	0.012			
Minimum Flowrate	$Q_1$	[m <sup>3</sup> /h]	0.006			

#### Performance Table acc. to MID Pattern Approval

Size	DN	[mm]	50	65	80	100
Maximum Working Pressure	PN	[bar]	16			
Maximum Peak Flow	$Q_4$	[m <sup>3</sup> /h]	31.25	50	78.75	125
Continuous Flow	$Q_3$	[m <sup>3</sup> /h]	25	40	63	100
Changeover Flowrate at Increasing Flow	$Q_{x2}$	[m <sup>3</sup> /h]	2.0 - 2.6			
Changeover Flowrate at Decreasing Flow	$Q_{x1}$	[m <sup>3</sup> /h]	1.1 - 1.7			
Transitional Flowrate	$Q_2$	[m <sup>3</sup> /h]	0.025			
Minimum Flowrate	$Q_1$	[m <sup>3</sup> /h]	0.016			
Ratio	$Q_3/Q_1$		1600	2500	4000	6300

### Typical Accuracy Curve



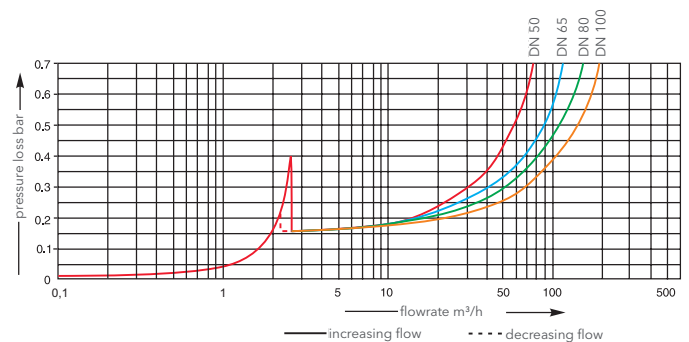
$Q_1$  minimum flow  $\pm 5\%$

$Q_2$  transitional flow  $\pm 2\%$

$Q_3$  continuous flow  $\pm 2\%$

$Q_4$  maximum peak flow  $\pm 2\%$

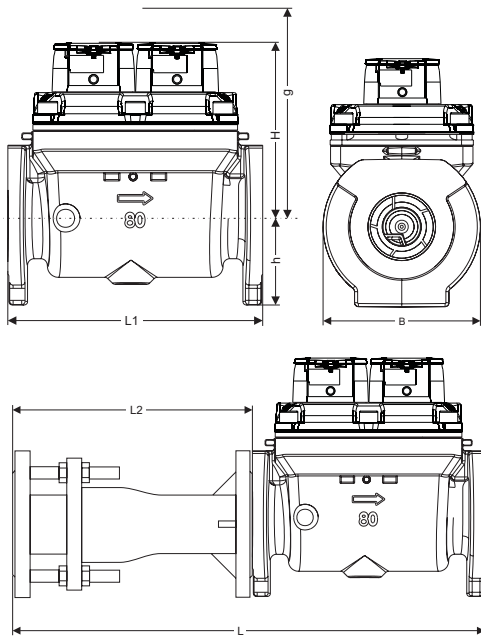
### Typical Head Loss Curve



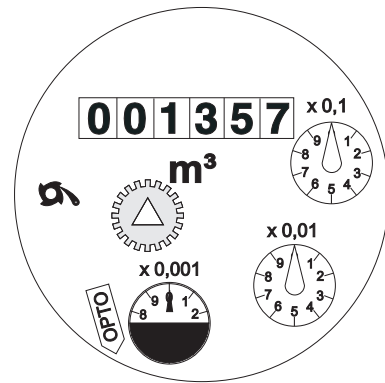
# MeiTwin with MID approval

## Compound Water Meter for cold water up to 50 °C DN 50, DN 65, DN 80, DN 100

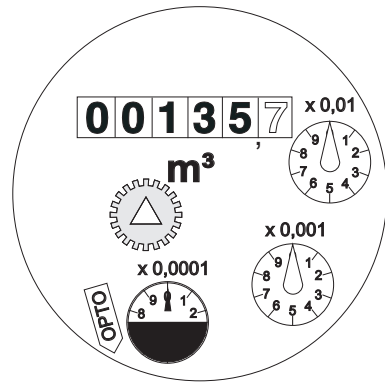
### Dimensional Diagram



### Dial



Main meter



By-pass meter  
(type 612MTW-HRI)

### DIMENSIONS AND WEIGHTS

Nominal Diameter		mm	50	65	80	100
Overall length	L1	mm	270		300	360
	L1	mm	300	300	350	350
Height	H	mm	250			
	h	mm	80	92.5	100	100
Dismantling height	g	mm	505			
Length	L2	mm	330±40		400±60	440±60
	L*	mm	600±40		700±60	800±60
Width		mm	185	185	210	220
Weight	meter	kg	23.0	24.6	26.1	31.0
	measuring unit	kg	7			
	spool piece	kg	10.5		16.5	20.5

\* for MeiTwin with body length according DIN 19625

### MATERIALS

Body	Main meter	cast iron
	By-pass meter	brass
Measuring element (both meters)		plastic
Rotor (both meters)		plastic
Spring loaded valve		plastic and stainless steel

### By-pass Meters

#### Standard By-pass meter

Piston meter cartridge dry dial  
type 612MTW-HRI Q<sub>3</sub> 4



By-pass meter  
(type 612MTW-HRI)



By-pass meter  
(type 612MTW-ER56/66)



By-pass meter  
(type 612MTW)

# MeiTwin with MID approval

## Compound Water Meter for cold water up to 50 °C DN 50, DN 65, DN 80, DN 100

### Options

Optional by-pass meter:

- 612MTW-ER56/66, piston type meter with Encoder register, protection class IP68
- 612MTW, piston type meter with plastic register casing, protection class IP65

Main and by-pass meters fitted with pulse and data interface HRI-Mei and/or pulsers type OD (with by-pass meter 612MTW-HRI)

Main and by-pass meters equipped with Encoder register ER56/66 for direct meter reading via data protocol (M-Bus, Sensus, IEC 1107)

Spool piece for extension of meter casing as per DIN 19625

Port for 1/4" pressure sensor

### PULSE VALUES

Main meter (standard register)	HRI-Mei	0.01 m <sup>3</sup> , 0.1 m <sup>3</sup> and 1 m <sup>3</sup>
	OD 01	0.001 m <sup>3</sup>
	OD 03	0.01 m <sup>3</sup>
Main meter (Encoder register)	HRI	0.1 m <sup>3</sup> or 1 m <sup>3</sup>
By-pass meter (type 612MTW-HRI) (Standard)	HRI-Mei	0.001 m <sup>3</sup> ; 0.01 m <sup>3</sup> and 0.1 m <sup>3</sup>
	OD 01	0.0001 m <sup>3</sup>
	OD 03	0.001 m <sup>3</sup>
By-pass meter (type 612 MTW-ER56)	HRI	0.001 m <sup>3</sup> ; 0.01 m <sup>3</sup> ; 0.1 m <sup>3</sup> or 1m <sup>3</sup>
By-pass meter (type 612 MTW)	HRI	0.001 m <sup>3</sup> ; 0.01 m <sup>3</sup> ; 0.1 m <sup>3</sup> or 1 m <sup>3</sup>

### AVAILABLE VARIANTS

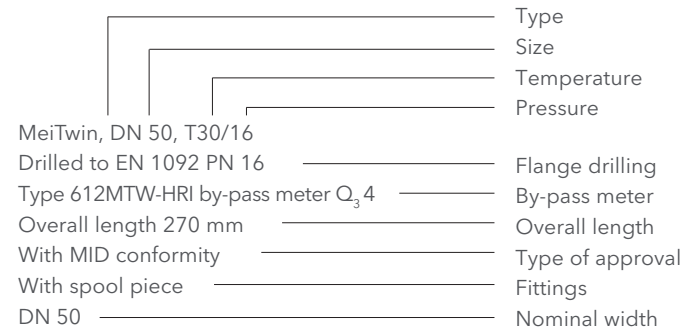
Size	DN	50	65	80	100
Nominal size	Q <sub>3</sub>	25	40	63	100
		Overall length as per DIN 19625			
Overall length	mm	270		300	360
		Overall length as per ISO 4064			
Overall length	mm	300	300	350	350

### Accessories

Spool pieces for extension of meter casing as per DIN 19625

Size	DN	50	65	80	100
Overall length	mm	330±40		400±60	440+60

### Order example



Xylem.com | Sensus.com

**UK & Ireland Inquiries | Sensus UK Systems Ltd.** | 3 Lindenwood Crockford Lane, Chineham Business Park | Basingstoke RG24 8QY UK | +44 1256 372800 | [info.gb@xylem.com](mailto:info.gb@xylem.com)

**International Inquiries | Sensus GmbH Hannover** | Meineckestr. 10 | 30880 Laatzen | Germany | +49 5102 743177  
[info.int@xylem.com](mailto:info.int@xylem.com)

©2020 Sensus. All products purchased and services performed are subject to Sensus' terms of sale, available at [sensus.com](https://www.sensus.com). Sensus reserves the right to modify these terms and conditions in its own discretion. The Sensus logo and other Sensus products or services referenced are registered trademarks of Sensus.

This document is for informational purposes only, and SENSUS MAKES NO EXPRESS WARRANTIES IN THIS DOCUMENT. FURTHERMORE, THERE ARE NO IMPLIED WARRANTIES, INCLUDING WITHOUT LIMITATION, WARRANTIES AS TO FITNESS FOR A PARTICULAR PURPOSE AND MERCHANTABILITY. ANY USE OF THE PRODUCTS THAT IS NOT SPECIFICALLY PERMITTED HEREIN IS PROHIBITED.

